

# TECHNICAL CATALOGUE

## October 2006



NO  
CH



Camino de la Baseta, s/n. 12580  
BENICARLÓ (Castellón) Spain  
Tel. 964 47 11 00 - Fax 964 47 43 01  
e-mail: [estellerfuster@estellerfuster.com](mailto:estellerfuster@estellerfuster.com)  
[www.estellerfuster.com](http://www.estellerfuster.com)

# GENERAL TERMS OF SALE

---

## **DELIVERY**

Prices will be EXFACTORY and FOB Valencia port.

## **COMPLAINT**

Complaints cannot be accepted after 15 days you have received the goods.

In

before 3 days and if there is any damage to make the complaint, it has to be done within 3 days as maximum.

## **SPECIAL FURNITURE**

Changes in sizes are accepted, but first you must ask about possibilities, delivery time and price to the manufacturer.

## **FURNITURE ALTERATION**

The management reserve the right to alter their manufactures for technical, esthetical and commercial improvement.

## **DIFERENCES IN FURNITURE**

Little differences in shades can be appeared on furniture made in natural veneer.

## **PAYMENT TERMS**

Prepayment 30% at confirmation of proforma and 70% before loading.

## EVOLUCIÓN

LOGAN	11
KORO	17
FORUM	25
ACCESSORIES	35

## SUIN

SUIN PROGRAMME	41
----------------	----

## ATRIA

ATRIA PROGRAMME	61
-----------------	----

## WARDROBES

FOLDING DOORS	78
SLIDING DOORS	89
INTERNAL ACCESSORIES	94
WITHOUT DOORS	96
ACCESSORIES	99



ESTELLER FUSTER, S.A., with experience all years long, working with care to select an tread the natural plywoods, is reflected in our products, getting stylish and harmonious finishes, and enhancing the nobility of natural plywood.



Doing an order, please, see this sign to avoid mistakes.



The challenge of our Factory to reach the total quality is endless, being a daily engagement for us. This constant effort for quality has let us to introduce E.C.C. of AIDIMA in our manufactures, on getting a checked quality.



**Estellerfuster.com**

L

O

N

E

EVOLUCIÓN

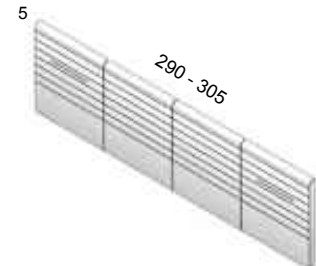
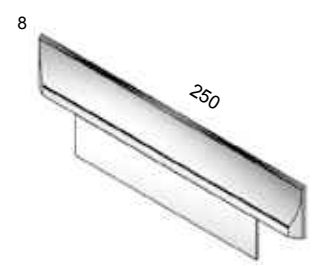
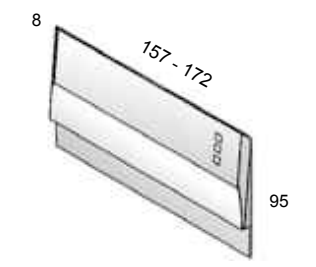
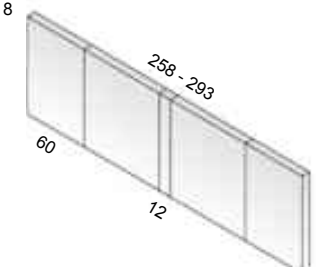
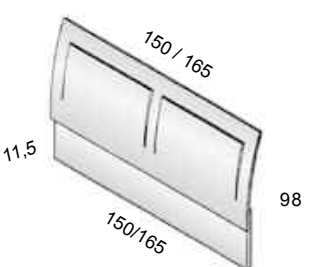
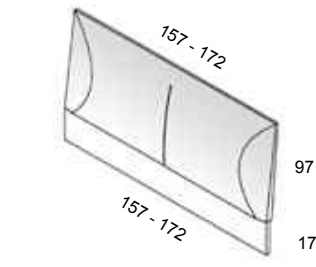
NOI

# Headboards

EVOLUCIÓN

**A** Availability wood backs and bases

**B** Availability Tatami, Osaka and Kioto foodboards

	SIZE	CODE	POINTS			A	B		SIZE	CODE	POINTS			A	B
			CHERRY	BRIGHTNESS	VOL-WEIGHT						CHERRY	BRIGHTNESS	VOL-WEIGHT		
<b>Algary</b> 	290	<b>7011T1</b>	293	267	0,44/104	NO	SI	<b>Nest</b> 	135	<b>6811T4</b>	235	**	0,44/104	NO	SI
	305	<b>7012T1</b>	299	273	0,44/104				150	<b>6812T4</b>	238	**	0,44/104		
<b>Dhaya</b> 	135	<b>7011T2</b>	207	248	0,195/32	SI	SI	<b>Layte</b> 	258	<b>6801T3</b>	228	**	0,61/050	NO	SI
	150	<b>7012T2</b>	213	256	0,212/35				278	<b>6811T3</b>	228	**	0,61/050		
293	<b>6812T3</b>	234	**	0,61/050											
<b>Lario</b> 	135	<b>4411TA</b>	201	**	0,24/031	SI	NO	<b>Vanua</b> 	135	<b>6811T2</b>	260	**	0,24/043	SI	SI
	150	<b>4412TA</b>	213	**	0,28/034				150	<b>6812T2</b>	266	**	0,24/04		
	160	<b>4413TA</b>	228	**	0,28/036				160	<b>6813T2</b>	291	**	0,24/04		
	180	<b>4414TA</b>	243	**	0,28/038				180	<b>6814T2</b>	316	**	0,24/04		

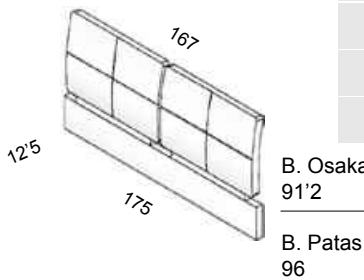
\* Not available footboard Tatami

\*\* Not available

**A** Availability wood backs and bases

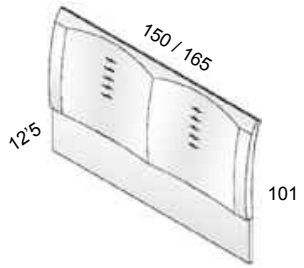
**B** Availability Tatami, Osaka and Kioto foodboards

**Ludica**



SIZE	CODE	POINTS			A	B
		CHERRY	BRIGHTNESS	VOL-WEIGHT		
135	<b>5811T1</b>	282	**	0,247/045	NO	SI
150	<b>5812T1</b>	288	**	0,27/053		
160	<b>5813T1</b>	303	**	0,27/053		
180	<b>5814T1</b>	318	**	0,27/056		

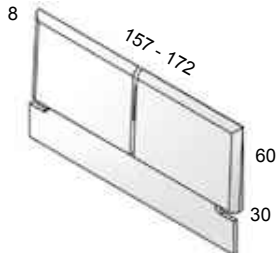
**Zade**



SIZE	CODE	POINTS			A	B
		CHERRY	BRIGHTNESS	VOL-WEIGHT		
135	<b>5611T2</b>	286	**	0,21/031	SI	NO
150	<b>5612T2</b>	298	**	0,22/034		

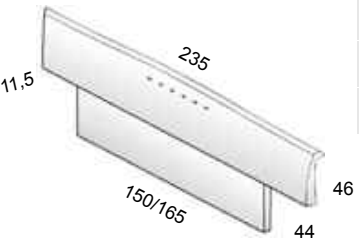
\* Not available 160 y 180

**Honey**



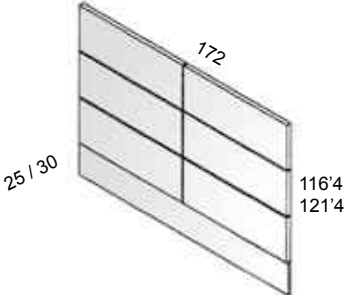
SIZE	CODE	POINTS			A	B
		CHERRY	BRIGHTNESS	VOL-WEIGHT		
135	<b>5811T7</b>	252	**	0,17/034	NO	SI
150	<b>5812T7</b>	258	**	0,18/037		
160	<b>5813T7</b>	273	**	0,19/040		
180	<b>5814T7</b>	288	**	0,21/048		

**Magna**



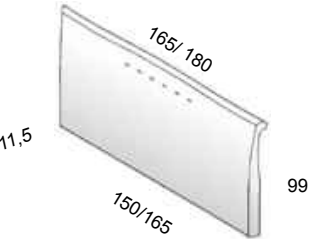
SIZE	CODE	POINTS			A	B
		CHERRY	BRIGHTNESS	VOL-WEIGHT		
135	<b>4411T1</b>	257	**	0,14/032	NO	NO
150	<b>4412T1</b>	269	**	0,14/034		
160	<b>4413T1</b>	284	**	0,15/036		
180	<b>4414T1</b>	292	**	0,15/039		

**Tayra**



SIZE	CODE	POINTS			A	B
		CHERRY	BRIGHTNESS	VOL-WEIGHT		
Without Light						
135	<b>5811TD</b>	189	**	0,134/052	NO	SI
150	<b>5812TD</b>	195	**	0,156/060		
Light Aries						
	<b>908168</b>	041	**	0,00/000		

**Magna short**



SIZE	CODE	POINTS			A	B
		CHERRY	BRIGHTNESS	VOL-WEIGHT		
135	<b>4411T4</b>	257	**	0,25/035	SI	NO
150	<b>4412T4</b>	269	**	0,27/035		
160	<b>4413T4</b>	284	**	0,27/037		
180	<b>4414T4</b>	292	**	0,29/041		

\*\* Not available

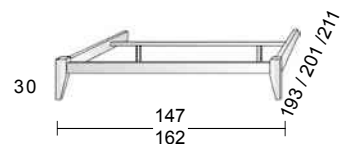
# Footboards

EVOLUCIÓN

**A** Availability wood backs and bases

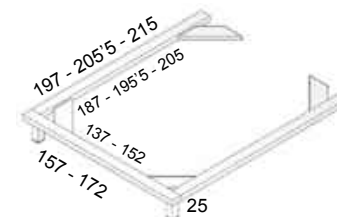
**B** Availability Tatami, Osaka and Kioto footboards

Footboard with legs «10»



SIZE	CODE	POINTS			A	B
		VENEER AND MATT LACQ.	BRIGHTNESS	VOL-WEIGHT		
135x185	<b>9040F1</b>	111	**	0,11/010	SI	-
135x195	<b>9040F2</b>	119	**	0,112/012		
135x205	<b>9040F3</b>	127	**	0,113/015		
150x185	<b>9041F1</b>	121	**	0,115/012		
150x195	<b>9041F2</b>	128	**	0,117/015		
150x205	<b>9041F3</b>	136	**	0,117/018		
160x195	<b>9042F2</b>	134	**	0,118/017		
160x205	<b>9042F3</b>	141	**	0,120/019		
180x195	<b>9043F2</b>	141	**	0,125/018		
180x205	<b>9043F3</b>	145	**	0,126/020		

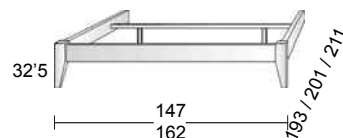
Footboard Osaka



\* Cheking availability in headboard

SIZE	CODE	POINTS			A	B
		VENEER AND MATT LACQ.	BRIGHTNESS	VOL-WEIGHT		
135x185	<b>9040H1</b>	120	167	0,174/031	SI	-
135x195	<b>9040H2</b>	128	175	0,178/032		
135x205	<b>9040H3</b>	136	183	0,182/033		
150x185	<b>9041H1</b>	130	177	0,177/032		
150x195	<b>9041H2</b>	137	184	0,177/033		
150x205	<b>9041H3</b>	145	192	0,185/034		
160x195	<b>9042H2</b>	140	187	0,179/034		
160x205	<b>9042H3</b>	148	195	0,182/035		
180x195	<b>9043H2</b>	150	197	0,186/035		
180x205	<b>9043H3</b>	154	201	0,190/036		

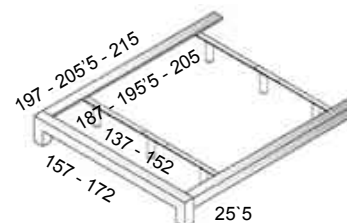
Footboard with legs «15»



SIZE	CODE	POINTS			A	B
		VENEER AND MATT LACQ.	BRIGHTNESS	VOL-WEIGHT		
135x185	<b>9040E1</b>	129	**	0,11/010	SI	-
135x195	<b>9040E2</b>	135	**	0,112/012		
135x205	<b>9040E3</b>	143	**	0,113/015		
150x185	<b>9041E1</b>	137	**	0,115/012		
150x195	<b>9041E2</b>	142	**	0,117/015		
150x205	<b>9041E3</b>	152	**	0,117/018		
160x195	<b>9042E2</b>	150	**	0,118/017		
160x205	<b>9042E3</b>	157	**	0,120/019		
180x195	<b>9043E2</b>	163	**	0,125/018		
180x205	<b>9043E3</b>	168	**	0,126/020		

\* Only available with base with legs

Footboard Kioto



\* Cheking availability in headboard

SIZE	CODE	POINTS			A	B
		VENEER AND MATT LACQ.	BRIGHTNESS	VOL-WEIGHT		
135x185	<b>9040W1</b>	172	210	0,145/031	SI	-
135x195	<b>9040W2</b>	178	216	0,149/032		
135x205	<b>9040W3</b>	184	222	0,152/033		
150x185	<b>9041W1</b>	180	218	0,149/032		
150x195	<b>9041W2</b>	186	224	0,152/033		
150x205	<b>9041W3</b>	192	230	0,154/034		
160x195	<b>9042W2</b>	189	227	0,152/033		
160x205	<b>9042W3</b>	195	233	0,152/033		
180x195	<b>9043W2</b>	199	237	0,152/033		
180x205	<b>9043W3</b>	203	241	0,152/033		

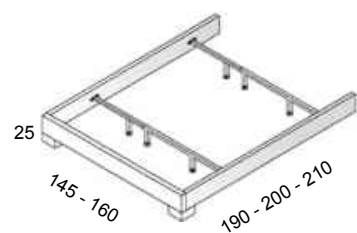
\*\* Not available



**A** Availability wood backs and bases

**B** Availability Tatami, Osaka and Kioto foodboards

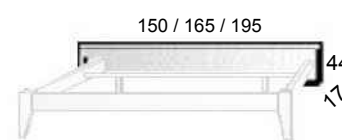
Footboard Kiel



SIZE	CODE	POINTS			A	B
		VENEER AND MATT LACQ.	BRIGHTNESS	VOL-WEIGHT		
135x185	<b>904011</b>	107	132	0,106 <sub>/031</sub>	SI*	NO
135x195	<b>904012</b>	117	142	0,110 <sub>/032</sub>		
135x205	<b>904013</b>	123	148	0,113 <sub>/033</sub>		
150x185	<b>904111</b>	117	142	0,110 <sub>/032</sub>		
150x195	<b>904112</b>	126	153	0,113 <sub>/033</sub>		
150x205	<b>904113</b>	133	158	0,116 <sub>/034</sub>		
160x195	<b>904212</b>	127	154	0,113 <sub>/034</sub>		
160x205	<b>904213</b>	136	161	0,116 <sub>/035</sub>		
180x195	<b>904312</b>	137	165	0,113 <sub>/035</sub>		
180x205	<b>904313</b>	142	170	0,113 <sub>/036</sub>		

\*Not higher than 8 cm.

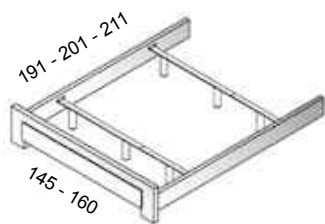
Headboard low part



SIZE	CODE	POINTS			A	B
		VENEER AND MATT LACQ.	BRIGHTNESS	VOL-WEIGHT		
135	<b>9043Mi</b>	026	041	0,02 <sub>/007</sub>	SI	SI
150	<b>9043MH</b>	039	054	0,03 <sub>/009</sub>		
160	<b>9043MJ</b>	045	060	0,04 <sub>/010</sub>		
180	<b>9043MP</b>	050	065	0,08 <sub>/012</sub>		

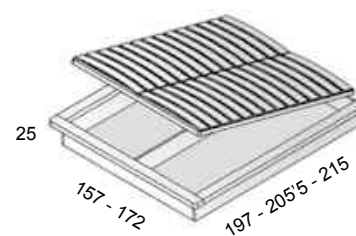
Exclusively in orders with only footboard.

Footboard "Piecera"



135x185	<b>904041</b>	119	149	0,289 <sub>/050</sub>	NO	NO
135x195	<b>904042</b>	130	160	0,302 <sub>/053</sub>		
135x205	<b>904043</b>	137	167	0,316 <sub>/055</sub>		
150x185	<b>904141</b>	130	160	0,309 <sub>/051</sub>		
150x195	<b>904142</b>	140	170	0,322 <sub>/054</sub>		
150x205	<b>904143</b>	148	178	0,336 <sub>/056</sub>		
160x195	<b>904242</b>	143	173	0,382 <sub>/056</sub>		
160x205	<b>904243</b>	151	181	0,397 <sub>/056</sub>		
180x195	<b>904342</b>	156	186	0,406 <sub>/056</sub>		
180x205	<b>904343</b>	161	191	0,424 <sub>/056</sub>		

Folding Footboard



135x185	<b>9040D2</b>	286	**	0,289 <sub>/050</sub>	NO	NO
135x195	<b>9040D4</b>	296	**	0,302 <sub>/053</sub>		
135x205	<b>9040D6</b>	304	**	0,316 <sub>/055</sub>		
150x185	<b>9041D2</b>	294	**	0,309 <sub>/051</sub>		
150x195	<b>9041D4</b>	305	**	0,322 <sub>/054</sub>		
150x205	<b>9041D6</b>	316	**	0,336 <sub>/056</sub>		
160x195	<b>9042D2</b>	332	**	0,382 <sub>/056</sub>		
160x205	<b>9042D3</b>	349	**	0,397 <sub>/056</sub>		
180x195	<b>9043D2</b>	338	**	0,406 <sub>/056</sub>		
180x205	<b>9043D3</b>	355	**	0,424 <sub>/056</sub>		

\*\* Not available



TO CHECK CORRECTLY THE ITEMS AND CODES TO AVOID MISTAKES

NOCH

wardrobes

wardrobes

atria

suin

evolución

LOGAN

EVOLUCIÓN  
LOGAN

CHI  
NO

FINISHED

---

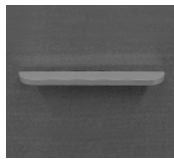


**NATURAL CHERRY**

**BRIGHT WHITE LACQUERED**

HANDLES

---



Forum



Logan

# Compositions

EVOLUCIÓN

Gama LOGAN

## Composition ALGARY



ARTICLE	CODE	POINTS	
		VENEER AND MATT LACQ.	BRIGHTNESS
Headboard Algary w/ light of 305 cms. so. 150	<b>7012T1</b>	299	273
Footboard Kiel so. 150 x 195	<b>904112</b>	126	153
Night table 1 drawer of 64'8 x 30 cms.	<b>7021M5</b>	114	137
Night table 2 drawers of 64'8 x 40 cms.	<b>7022M5</b>	130	156
Chest 4 drawers of 124'8 x 70 cms.	<b>7034M9</b>	230	276
Frame with mirror 90 x 90 cms.	<b>904177</b>	60	60
<b>Total Composition</b>		<b>959</b>	<b>1.055</b>
Opcional: Switch	<b>908104</b>	30	30

## Composition DHAYA



ARTICLE	CODE	POINTS	
		VENEER AND MATT LACQ.	BRIGHTNESS
Headboard Dhaya fo. 150	<b>7012T2</b>	213	256
Footboard Kioto fo. 150 x 195	<b>9041W2</b>	186	224
Night table 2 drawers of 64'5 x 40 cm. (2 ud.)	<b>7022M5</b>	260	312
Chest 2 drawers of 124'8 x 40 cms.	<b>7032M9</b>	182	218
Wall shelf w/supports of 120 cms.	<b>9051MG</b>	29	40
Frame with mirror 90 x 90 cms.	<b>904177</b>	60	60
<b>Total Composition</b>		<b>930</b>	<b>1.110</b>

# Headboards

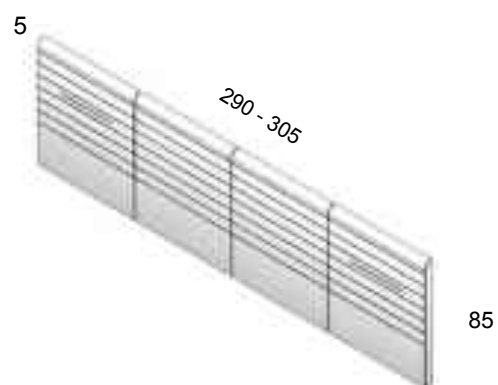
EVOLUCIÓN

Gama LOGAN

**A** Availability wood backs and bases

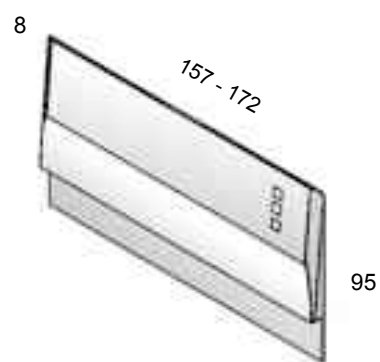
**B** Availability Tatami, Osaka and Kioto foodboards

SIZE	CODE	POINTS			A	B
		CHERRY	BRIGHTNESS	VOL-WEIGHT		



## Algary

290	<b>7011T1</b>	293	267	0,44/104	NO	SI
305	<b>7012T1</b>	299	273	0,44/104		



## Dhaya

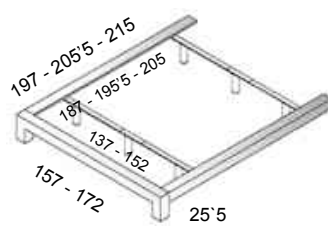
135	<b>7011T2</b>	207	248	0,195/32	SI	SI
150	<b>7012T2</b>	213	256	0,212/35		

**A** Availability wood backs and bases

**B** Availability Tatami, Osaka and Kioto foodboards

Gama LOGAN

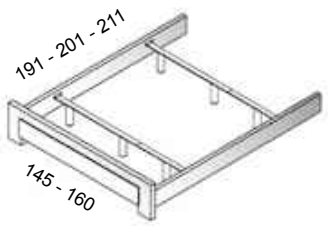
**Footboard Kioto**



SIZE	CODE	POINTS			A	B
		CHERRY	BRIGHTNESS	VOL-WEIGHT		
135x185	<b>9040W1</b>	172	210	0,145 <sub>/031</sub>	SI*	-
135x195	<b>9040W2</b>	178	216	0,149 <sub>/032</sub>		
135x205	<b>9040W3</b>	184	222	0,152 <sub>/033</sub>		
150x185	<b>9041W1</b>	180	218	0,149 <sub>/032</sub>		
150x195	<b>9041W2</b>	186	224	0,152 <sub>/033</sub>		
150x205	<b>9041W3</b>	192	230	0,154 <sub>/034</sub>		
160x195	<b>9042W2</b>	189	227	0,152 <sub>/033</sub>		
160x205	<b>9042W3</b>	195	233	0,152 <sub>/033</sub>		
180x195	<b>9043W2</b>	199	237	0,152 <sub>/033</sub>		
180x205	<b>9043W3</b>	203	241	0,152 <sub>/033</sub>		

\* Cheking availability in headboard

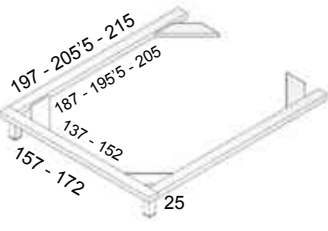
**Footboard "Piecera"**



SIZE	CODE	POINTS			A	B
		CHERRY	BRIGHTNESS	VOL-WEIGHT		
135x185	<b>904041</b>	119	149	0,289 <sub>/050</sub>	SI*	-
135x195	<b>904042</b>	130	160	0,302 <sub>/053</sub>		
135x205	<b>904043</b>	137	167	0,316 <sub>/055</sub>		
150x185	<b>904141</b>	130	160	0,309 <sub>/051</sub>		
150x195	<b>904142</b>	140	170	0,322 <sub>/054</sub>		
150x205	<b>904143</b>	148	178	0,336 <sub>/056</sub>		
160x195	<b>904242</b>	143	173	0,382 <sub>/056</sub>		
160x205	<b>904243</b>	151	181	0,397 <sub>/056</sub>		
180x195	<b>904342</b>	156	186	0,406 <sub>/056</sub>		
180x205	<b>904343</b>	161	191	0,424 <sub>/056</sub>		

\* Cheking availability in headboard

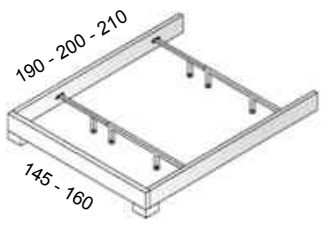
**Footboard Osaka**



SIZE	CODE	POINTS			A	B
		CHERRY	BRIGHTNESS	VOL-WEIGHT		
135x185	<b>9040H1</b>	120	167	0,174 <sub>/031</sub>	SI*	-
135x195	<b>9040H2</b>	128	175	0,178 <sub>/032</sub>		
135x205	<b>9040H3</b>	136	183	0,182 <sub>/033</sub>		
150x185	<b>9041H1</b>	130	177	0,177 <sub>/032</sub>		
150x195	<b>9041H2</b>	137	184	0,177 <sub>/033</sub>		
150x205	<b>9041H3</b>	145	192	0,185 <sub>/034</sub>		
160x195	<b>9042H2</b>	140	187	0,179 <sub>/034</sub>		
160x205	<b>9042H3</b>	148	195	0,182 <sub>/035</sub>		
180x195	<b>9043H2</b>	150	197	0,186 <sub>/035</sub>		
180x205	<b>9043H3</b>	154	201	0,190 <sub>/036</sub>		

\* Cheking availability in headboard

**Footboard Kiel**



SIZE	CODE	POINTS			A	B
		CHERRY	BRIGHTNESS	VOL-WEIGHT		
135x185	<b>904011</b>	107	132	0,106 <sub>/031</sub>	SI*	-
135x195	<b>904012</b>	117	142	0,110 <sub>/032</sub>		
135x205	<b>904013</b>	123	148	0,113 <sub>/033</sub>		
150x185	<b>904111</b>	117	142	0,110 <sub>/032</sub>		
150x195	<b>904112</b>	126	153	0,113 <sub>/033</sub>		
150x205	<b>904113</b>	133	158	0,116 <sub>/034</sub>		
160x195	<b>904212</b>	127	154	0,113 <sub>/034</sub>		
160x205	<b>904213</b>	136	161	0,116 <sub>/035</sub>		
180x195	<b>904312</b>	137	165	0,113 <sub>/035</sub>		
180x205	<b>904313</b>	142	170	0,113 <sub>/036</sub>		

\* Not higher than 8 cm.



CHECK THE SIZES OF FOOTBOARDS TO AVOID UNNECESSARY POSTERIOR CHANGES

NOCH

# Night table - Chest

EVOLUCIÓN

Gama LOGAN

evolución

suin

atria

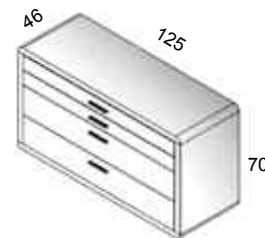
wardrobes

SIZE	CODE	POINTS		
		VENEER AND MATT LACQ.	BRIGHTNESS	VOL-WEIGHT

## Night table 1 drawer



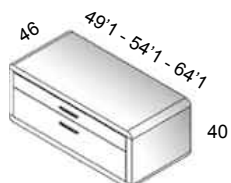
49,8	<b>7021M1</b>	113	136	0,092/022
54,8	<b>7021M3</b>	113	136	0,101/024
64,8	<b>7021M5</b>	114	137	0,119/028
Incr. BRIGHTNESS FRONT		010		



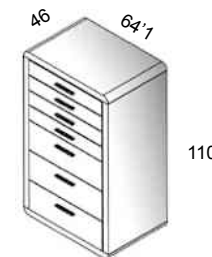
## Chest 4 drawers of 124'1

94,8	<b>7034M8</b>	220	264	0,46/080
124,8	<b>7034M9</b>	230	276	0,46/080
Incr. BRIGHTNESS FRONT		010		

## Night table 2 drawers



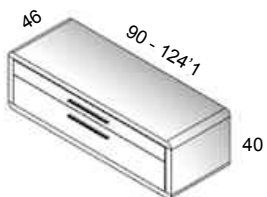
49,8	<b>7022M1</b>	129	155	0,119/027
54,8	<b>7022M3</b>	129	155	0,131/030
64,8	<b>7022M5</b>	130	156	0,154/035
Incr. BRIGHTNESS FRONT		010		



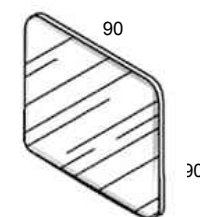
## Chest 7 drawers of 64'1

64,8	<b>7046M5</b>	225	270	0,384/052
------	---------------	-----	-----	-----------

## Chest 2 drawers of 124'1



94,8	<b>7032M8</b>	176	211	0,225/044
124,8	<b>7032M9</b>	182	218	0,294/057
Incr. BRIGHTNESS FRONT		010		



## Frame w/round corners

90	<b>904177</b>	060	060	0,04/006
----	---------------	-----	-----	----------



O

R

O

K

EVOLUCIÓN  
KORO

NO  
KI

## FINISHED

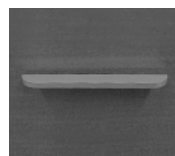
---



**CHERRY**

## HANDLES

---



Forum



Perfil

Composition  
NEST

ARTICLE	CODE	POINTS
Headboard Nest fo. 150	<b>6812T4</b>	238
Footboard Kiel fo. 150 x 195	<b>904112</b>	126
Night table 2 left drawers of 60 cms.	<b>6822M6</b>	102
Night table 2 right drawers of 60 cms.	<b>6822M5</b>	102
Chest 5 left drawers of 60 cms.	<b>6846M5</b>	176
Chest 5 right drawers of 60 cms.	<b>6846M6</b>	176
<b>Total composition</b>		<b>920</b>

Composition  
LARIO

Headboard Lario fo. 150	<b>4412TA</b>	213
Footboard "Piecera" fo. 150 x 195	<b>904142</b>	140
Night table 2 left drawers of 60 Cms.	<b>6822M6</b>	102
Night table 2 right drawers of 60 Cms.	<b>6822M5</b>	102
<b>Total composition</b>		<b>557</b>

Composition  
LAYTE

Headboard Layte of 293 cms. fo. 150	<b>6812T3</b>	234
Footboard Kiel so.150 x 195	<b>904112</b>	126
Night table 1 left drawer 60 x 34'8	<b>6821M6</b>	086
Night table 1 right drawer 60 x 34'8	<b>6821M5</b>	086
Chest 3 drawers 120 x 70	<b>6834M9</b>	179
Frame w/bevelling mirror 90 x 90	<b>904175</b>	062
<b>Total composition</b>		<b>773</b>

Composition  
VANUA

Headboard Vanua short fo. 150	<b>6812T2</b>	266
Footboard Kioto fo. 150 x 195	<b>9041W2</b>	186
Night table 2 drawers 60 x 44 left	<b>6822M6</b>	102
Night table 2 drawers 60 x 44 right	<b>6822M5</b>	102
Chest 4 drawers 120 x 95'7	<b>6836M9</b>	215
Frame w/bevelling mirror rect. 55 x 105	<b>904157</b>	063
<b>Total composition</b>		<b>934</b>

# Headboards

EVOLUCIÓN

Gama KORO

**A** Availability wood backs and bases

**B** Availability Tatami, Osaka and Kioto foodboards

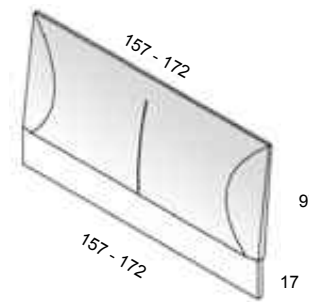
Not available in brightness

## Headboard Nest



SIZE	CODE	POINTS	VOL-WEIGHT	A	B
135	<b>6811T4</b>	235	0,44/104	NO	SI
150	<b>6812T4</b>	238	0,44/104		

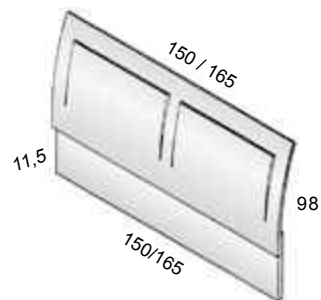
## Headboard Vanua



SIZE	CODE	POINTS	VOL-WEIGHT	A	B
135	<b>6811T2</b>	260	0,24/043	NO	SI*
150	<b>6812T2</b>	266	0,24/04		
160	<b>6813T2</b>	291	0,24/04		
180	<b>6814T2</b>	316	0,24/04		

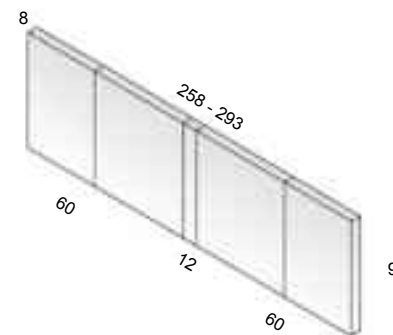
\* Not available footboard Tatami

## Headboard Lario



135	<b>4411TA</b>	201	0,24/031	SI	NO
150	<b>4412TA</b>	213	0,28/034		
160	<b>4413TA</b>	228	0,28/036		
180	<b>4414TA</b>	243	0,28/038		

## Headboard Layte



258	<b>6801T3</b>	228	0,61/050	NO	SI
278	<b>6811T3</b>	228	0,61/050		
293	<b>6812T3</b>	234	0,61/050		

Not available in brightness

[20]

NO  
CH

evolución

suin

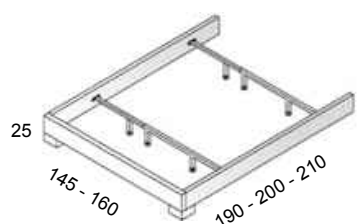
atria

wardrobes

**A** Availability wood backs and bases**B** Availability Tatami, Osaka and Kioto foodboards

Gama KORO

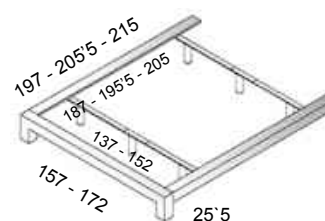
SIZE	CODE	POINTS			A	B
		CHERRY	BRIGHTNESS	VOL-WEIGHT		
135x185	<b>904011</b>	107	132	0,106 <sub>/031</sub>	SI*	-
135x195	<b>904012</b>	117	142	0,110 <sub>/032</sub>		
135x205	<b>904013</b>	123	148	0,113 <sub>/033</sub>		
150x185	<b>904111</b>	117	142	0,110 <sub>/032</sub>		
150x195	<b>904112</b>	126	153	0,113 <sub>/033</sub>		
150x205	<b>904113</b>	133	158	0,116 <sub>/034</sub>		
160x195	<b>904212</b>	127	154	0,113 <sub>/034</sub>		
160x205	<b>904213</b>	136	161	0,116 <sub>/035</sub>		
180x195	<b>904312</b>	137	165	0,113 <sub>/035</sub>		
180x205	<b>904313</b>	142	170	0,113 <sub>/036</sub>		



\*Not higher than 8 cm.

## Footboard Kioto

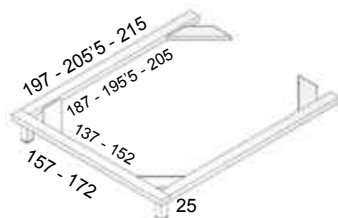
SIZE	CODE	POINTS			A	B
		CHERRY	BRIGHTNESS	VOL-WEIGHT		
135x185	<b>9040W1</b>	172	210	0,145 <sub>/031</sub>	SI*	-
135x195	<b>9040W2</b>	178	216	0,149 <sub>/032</sub>		
135x205	<b>9040W3</b>	184	222	0,152 <sub>/033</sub>		
150x185	<b>9041W1</b>	180	218	0,149 <sub>/032</sub>		
150x195	<b>9041W2</b>	186	224	0,152 <sub>/033</sub>		
150x205	<b>9041W3</b>	192	230	0,154 <sub>/034</sub>		
160x195	<b>9042W2</b>	189	227	0,152 <sub>/033</sub>		
160x205	<b>9042W3</b>	195	233	0,152 <sub>/033</sub>		
180x195	<b>9043W2</b>	199	237	0,152 <sub>/033</sub>		
180x205	<b>9043W3</b>	203	241	0,152 <sub>/033</sub>		



\* Cheking availability in headboard

## Footboard Osaka

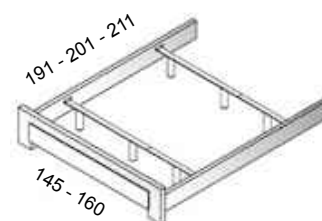
135x185	<b>9040H1</b>	120	167	0,174 <sub>/031</sub>	SI*	-
135x195	<b>9040H2</b>	128	175	0,178 <sub>/032</sub>		
135x205	<b>9040H3</b>	136	183	0,182 <sub>/033</sub>		
150x185	<b>9041H1</b>	130	177	0,177 <sub>/032</sub>		
150x195	<b>9041H2</b>	137	184	0,177 <sub>/033</sub>		
150x205	<b>9041H3</b>	145	192	0,185 <sub>/034</sub>		
160x195	<b>9042H2</b>	140	187	0,179 <sub>/034</sub>		
160x205	<b>9042H3</b>	148	195	0,182 <sub>/035</sub>		
180x195	<b>9043H2</b>	150	197	0,186 <sub>/035</sub>		
180x205	<b>9043H3</b>	154	201	0,190 <sub>/036</sub>		



\* Cheking availability in headboard

## Footboard "Piecera"

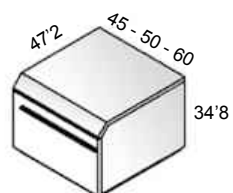
135x185	<b>904041</b>	119	149	0,289 <sub>/050</sub>	NO	NO
135x195	<b>904042</b>	130	160	0,302 <sub>/053</sub>		
135x205	<b>904043</b>	137	167	0,316 <sub>/055</sub>		
150x185	<b>904141</b>	130	160	0,309 <sub>/051</sub>		
150x195	<b>904142</b>	140	170	0,322 <sub>/054</sub>		
150x205	<b>904143</b>	148	178	0,336 <sub>/056</sub>		
160x195	<b>904242</b>	143	173	0,382 <sub>/056</sub>		
160x205	<b>904243</b>	151	181	0,397 <sub>/056</sub>		
180x195	<b>904342</b>	156	186	0,406 <sub>/056</sub>		
180x205	<b>904343</b>	161	191	0,424 <sub>/056</sub>		



# Night table - Chest

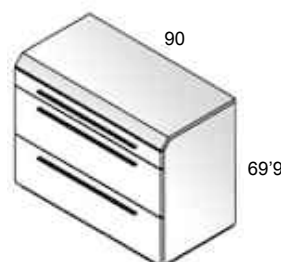
EVOLUCIÓN

Gama KORO



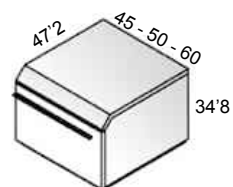
Night table 1 left drawer

SIZE	CODE	POINTS	VOL-WEIGHT
45	<b>6821M2</b>	085	0,09/016
50	<b>6821M4</b>	085	0,103/018
60	<b>6821M6</b>	086	0,122/021



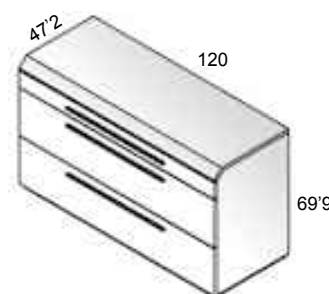
Chest 3 drawers of 90

SIZE	CODE	POINTS	VOL-WEIGHT
90	<b>6834M8</b>	179	0,361/049



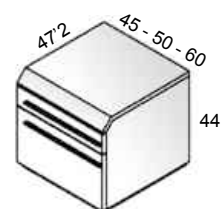
Night table 1 right drawer

SIZE	CODE	POINTS	VOL-WEIGHT
45	<b>6821M1</b>	085	0,09/016
50	<b>6821M3</b>	085	0,103/018
60	<b>6821M5</b>	086	0,122/021



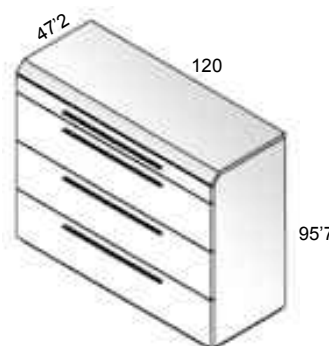
Chest 3 drawers of 120

SIZE	CODE	POINTS	VOL-WEIGHT
120	<b>6834M9</b>	179	0,457/060



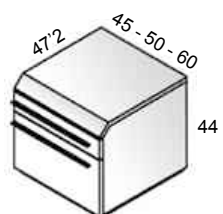
Night table 2 left drawers

SIZE	CODE	POINTS	VOL-WEIGHT
45	<b>6822M2</b>	101	0,119/024
50	<b>6822M4</b>	101	0,132/026
60	<b>6822M6</b>	102	0,156/031



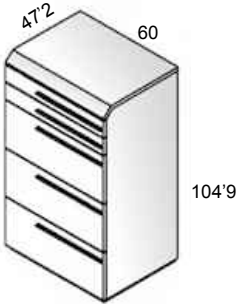
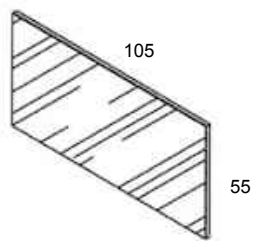
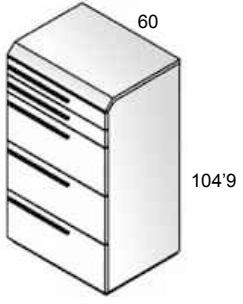
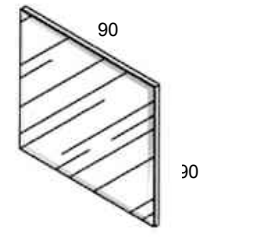
Chest 4 drawers of 120

SIZE	CODE	POINTS	VOL-WEIGHT
120	<b>6836M9</b>	215	0,614/076



Night table 2 right drawers

SIZE	CODE	POINTS	VOL-WEIGHT
45	<b>6822M1</b>	101	0,119/024
50	<b>6822M3</b>	101	0,132/026
60	<b>6822M5</b>	102	0,156/031

	SIZE	CODE	POINTS	VOL-WEIGHT		SIZE	CODE	POINTS	VOL-WEIGHT
 <p>left</p>									
		Chest 5 left drawers of 60					Frame with beveling mirror		
	60	<b>6846M5</b>	176	0,349/065		105	<b>904157</b>	063	0,04/006
 <p>right</p>									
		Chest 5 right drawers of 60					Frame with beveling mirror		
	60	<b>6846M6</b>	176	0,349/065		60	<b>904175</b>	062	0,04/006

